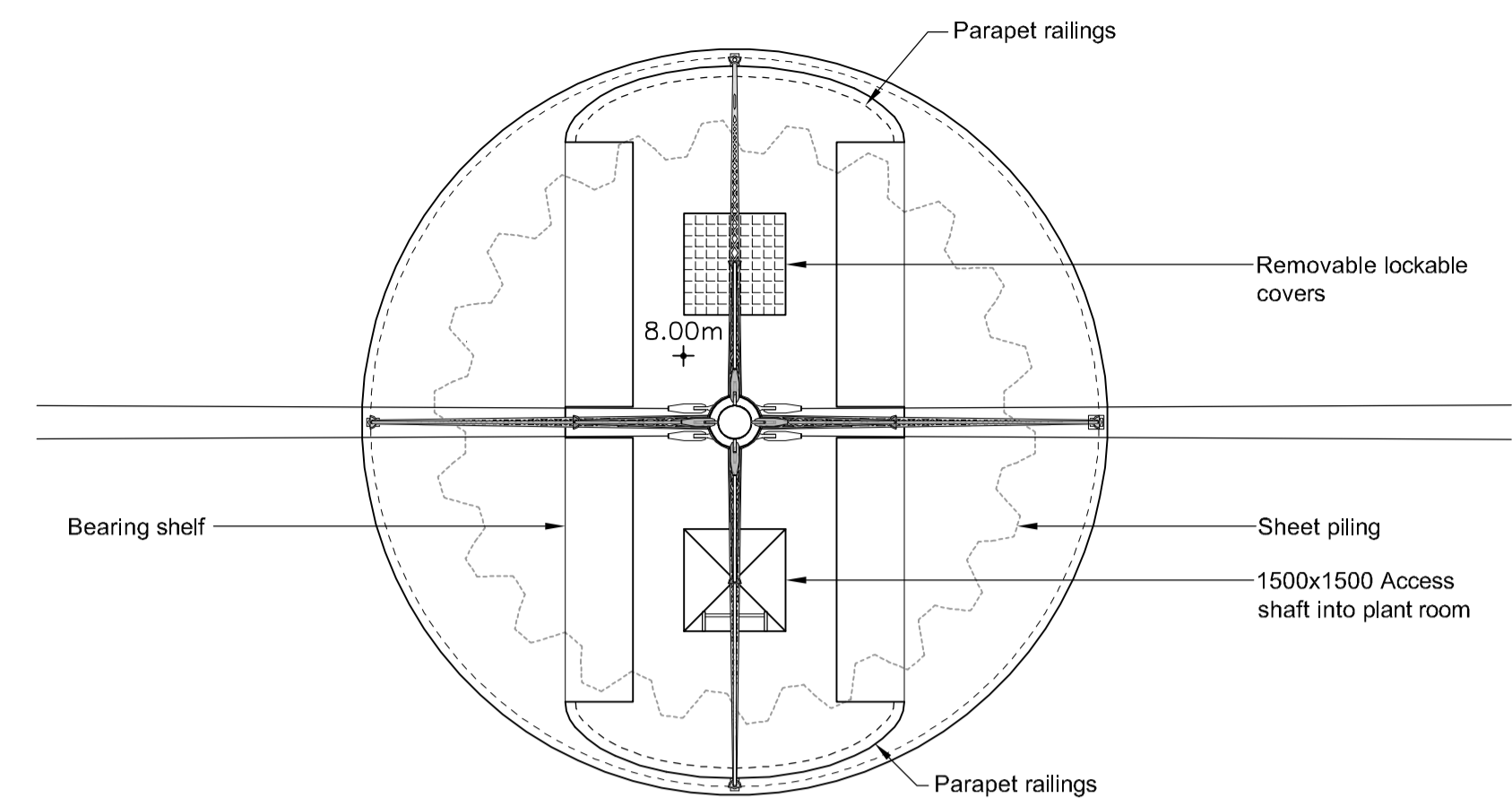
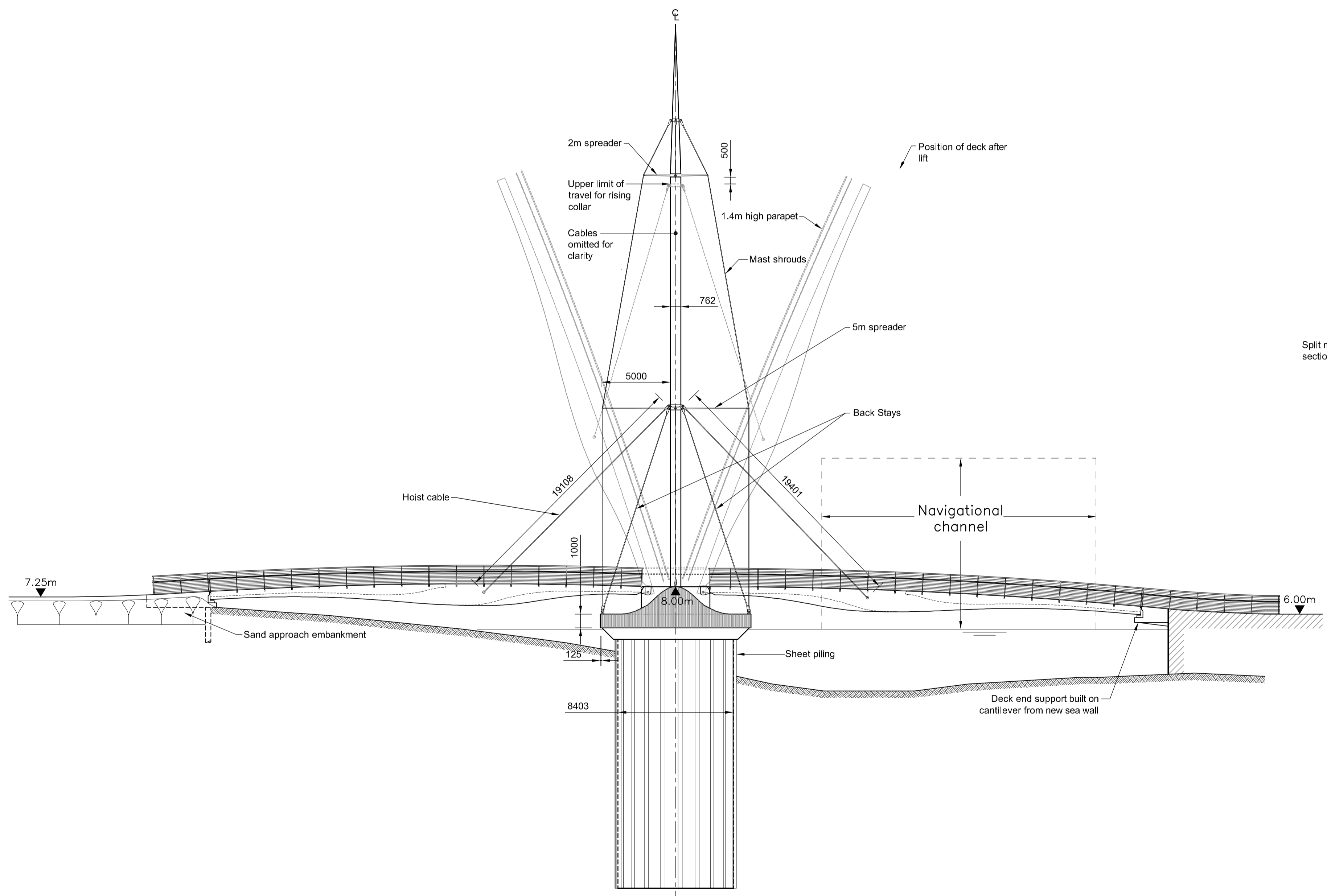


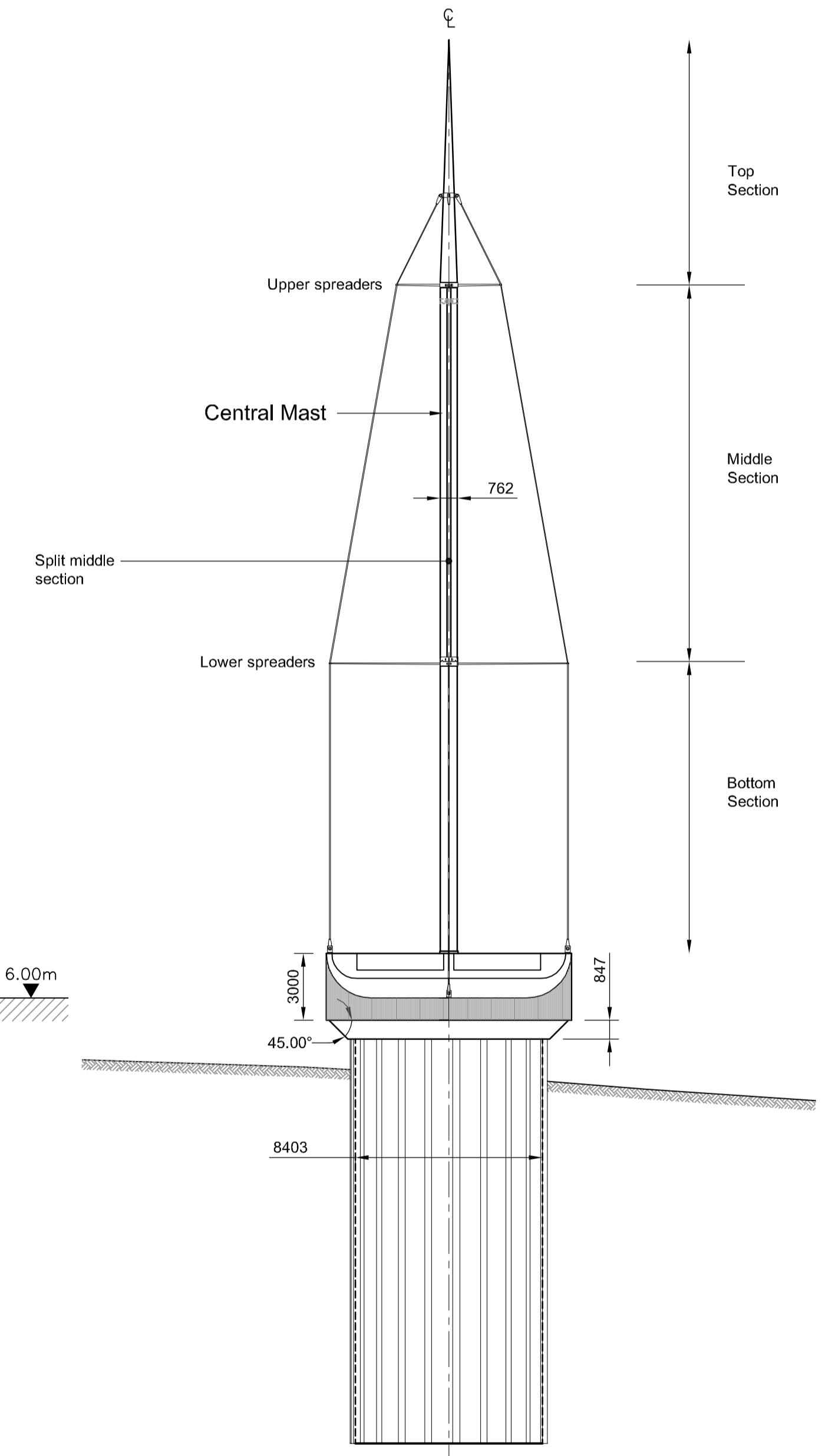
PLAN
Scale 1:200



CAISSON DETAIL
Scale 1:100



ELEVATION A-A
Scale 1:200



ELEVATION B-B
Scale 1:200

- NOTES**
- All dimensions are in millimetres unless stated otherwise.
 - Loading**
Loads applied in accordance with B037/01 Footway load 5kN/m².
 - Steelwork**
Steelwork in pile shall be grade S355J2 to BS EN 10025. All stainless steelwork in tower shall be Duplex Grade 2304 or 2205.
 - Concrete**
Mass Reinforced Grade 16/20
Reinforced Grade 32/40
 - Reinforcement**
All reinforcement shall be grade B500B or C to BS4449 : 2005.
 - Deck**
Main lifting spans constructed in GRP with carbon fibre reinforcement as required.
 - Water Levels**
Design water levels are as follows:
Current HAT 4.9m AOD
Surge level +1.0m
Climate change +1.0m
 - All exposed concrete surfaces to be treated with a hydrophobic material.



Client: **FORYD HARBOUR WALKING AND CYCLING BRIDGE**



Drawing Title: **PLAN AND ELEVATIONS**

Rev.	Drawn	Chkd.	Approved	Date	Description
-	BAH	APM	APM	19.06.09	TENDER
Scale (at A1)		Date	Drawn		
As Shown		June 09	BAH		
Drg. no. 15621/B/GA/12					Rev. -

